

**FURUNO**

# 7" WIDE GPS/WAAS CHART PLOTTER

Model GP-1870

Model GP-1870F



7" WIDE GPS/WAAS COLOR  
CHART PLOTTER  
GP-1870



7" WIDE GPS/WAAS COLOR  
CHART PLOTTER with FISH FINDER  
GP-1870F



**C-MAP** C-MAP 4D  
Digital Charts that grow with your boating needs.



Jeppesen Marine Plan2Nav



[www.furuno.com](http://www.furuno.com)

# Compact, Connected and Multifunctional



Photo: GP-1870F



## Jeppesen Marine Plan2Nav<sup>3</sup>

With the “Plan2Nav” app you can watch images from your GP-1870/1870F<sup>1</sup> wirelessly on your iOS devices<sup>2</sup>.

- Bright 900 cd/m<sup>2</sup> LCD gives excellent readability even in direct sunlight
- The LCD and the AR glass are bonded together to ensure no fogging issues
- Clear visibility even when wearing polarized sunglasses
- Internal GPS antenna for simple and easy installation
- Standard C-Map 4D chart<sup>3</sup> available on SD card
- RotoKey™ revolving menu and familiar point-and-click operation
- Internal memory: Waypoint/Track 30,000 points, Route 1,000 routes
- Easy-Routing function: Automatically create a route
- GP-1870/1870F have built-in Wireless LAN, downloading up-to-minute weather service “C-Weather” by Jeppesen Marine<sup>3</sup>, via Internet.

### GP-1870F features

- Equipped with FURUNO’s latest digital fish finder technology
  - Bottom Discrimination Function<sup>4</sup>
  - ACCU-FISH™ — A unique fish size analyzer
- Post-processing Gain Control applied to all echoes displayed on the screen
- White Line function — Discriminates fish lying near the bottom

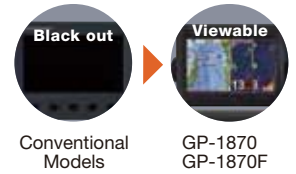
● **Wirelessly connect to your iOS devices**



The GP1870/1870F connects to your iOS devices using the app "Jeppesen Marine Plan2Nav" over a wireless ad-hoc connection<sup>5</sup>.

● **Polarized Friendly - Clearly Remarkable**

The GP-1870 series has an LCD screen that does not "black out" when wearing polarized sunglasses, providing clear visibility from virtually any angle.



Conventional Models

GP-1870 GP-1870F

● **RotoKey™**

The RotoKey™ has a two-fold function. Rotate the knob for a finely stepped zoom control. Push the knob to get full access to GP-1870/1870F controls.



● **C-Weather information<sup>3</sup>**

C-Weather data can be downloaded from Jeppesen.com to the GP-1870/1870F. Wind, Wave, Weather, Humidity, Temperature and Visibility (fog) information can be displayed on screen.



● **Bonded LCD - Clear Readability**

Our bonded LCDs offer a fog-free structural design. This ensures that the display will never be affected by water condensation, caused by an air gap between the LCD and the front cover plate.

● **Bottom Discrimination feature<sup>4</sup>**

The GP-1670F/1870F Bottom Discrimination feature enables the fish finder to indicate if a major component of the bottom is mud, sand, gravel or rocks.



● **Easy Replacement from legacy models**

Optional bezel kit is available allowing for easy replacement from Furuno GP-1650, GP-1850 and GP-7000 series.



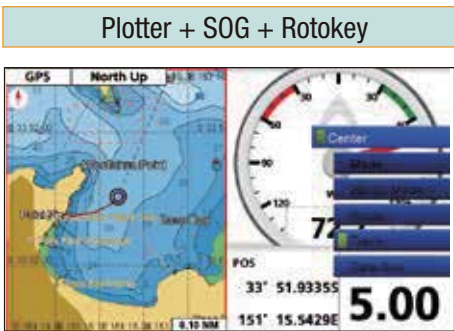
● **ACCU-FISH™ identifies individual fish with size or depth indication and fish symbol**

Individual fish size is culculated from echo strength. ACCU-FISH™ can detect the fish size of 10 of 199 cm, in the depth of 2 to 100 m.



● **Dual Range Chart Display**

In "Dual Range Chart Display" mode, the GP-1870/1870F displays dual charts, both long and short range, at the same time.



● **East-Routing function**

The Easy-Routing Technology analyzes the high-quality C-MAP 4D data, works out the shortest route and then checks and displays hazards in each leg of the journey. Enter start and end points along with specific boat parameters and automatically receive waypoints of the shortest route. The technology highlights potential hazards and displays varying levels of alerts for each segment of the route and allows you to manually adjust the route.

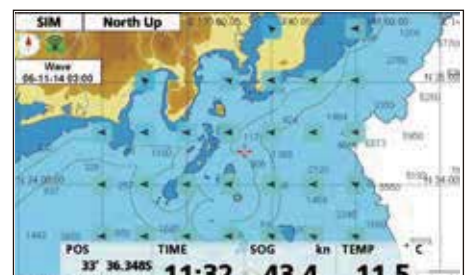
Plotter + Fish Finder<sup>6</sup>  
(ACCU-FISH and Bottom Discrimination)



Dual range chart display



C-Weather information<sup>3</sup> (Wind)



1 New software version 2.01 required.

2 iOS version 4.3 and later.

3 Please visit [www.jeppesen.com](http://www.jeppesen.com) for further information.

4 Thru-hull transom transducer mount required.

5 The GP1870/1870F accepts one (1) connection at a time, multiple iOS devices can not be connected simultaneously.

6 GP-1870F only.

# SPECIFICATIONS OF

# Model GP-1870/1870F

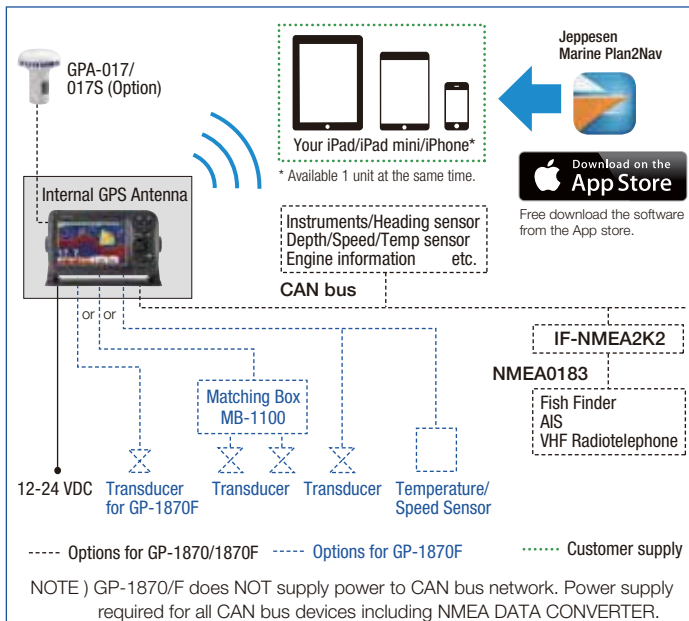
## ■ DISPLAY UNIT

Screen Type	Color TFT LCD
Screen Size	7" WIDE
Screen Resolution	800 x 480 pixels (WVGA)
Screen Brightness	900 cd/m2 (typical)
Language	English (US & UK), French, Spanish, German, Italian, Portuguese, Danish, Swedish, Norwegian, Finnish, Greek, Japanese, Chinese, Russian, Thai, Vietnamese, Polish, Bahase Malaysia, Bahasa Indonesia
Display Modes	Course plot, Nav Data, Instruments*, Engine monitor*, Anemometer*, Fuel level gauge*, GPS status, Fish finder**
Memory Capacity	*External sensors required **GP-1870F only 30,000 points for ship's track and waypoints 1,000 planned routes (Max. 50 points per route) 5,000 quickpoints
Interface	CAN bus: 1 port Mini USB*: 1 port (2.0) *for maintenance only SD card Slot: 1 slot (Acceptable up to 32 GB)
Chart	C-MAP 4D
Other Functions	AIS target display* *AIS sensor required
Temperature	-15°C to +55°C
Waterproofing	IP56
Power Supply	12-24 VDC
Consumption Current	GP-1870: 0.6 - 0.3 A GP-1870F: 1.0 - 0.5 A (When 600 W transducer used)

## ■ GPS / SBAS (WAAS/EGNOS/MSAS)

Receiving Type	GPS: 50 channels SBAS: 1 channel
Receiving Frequency	L1 (1575.42 MHz)
Accuracy	Internal antenna : GPS 10 m Max / MSAS 7 m Max External antenna*: GPS 10 m Max / MSAS 7 m Max *GPA-017 (Option)

Time to First FIX	90 s (cold start)
Tracking Velocity	999 Kn



## ■ FISH FINDER (for GP-1870F only)

Transmit Frequency	50/200 kHz
Transmission	600 W or 1 kW* *Matching box MB-1100 required for certain transducers
Display Range	5 - 1,200 m, shift: 0 - 1,200 m
Extension Mode	ACCU-FISH*, Auto (Fishing/Cruising/Manual), A-Scope, Marker Zoom, Bottom Zoom, Bottom Lock, Bottom Discrimination*
Picture Advance	7 steps: 2/1, 1/1, 1/2, 1/4, 1/8, 1/16, stop
	*In some instances, bottom component or fish size indicated on the GP-1870F may differ from its actual size or structure. Please carefully read the operation manual prior to using this feature.

## ■ EQUIPMENT LIST

Display unit GP-1870/1870F, Installation materials and standard spare parts

## ■ OPTIONS

- GPS antenna GPA-017/017S • Antenna cable assembly • NMEA2000 heavy cable assembly • Mast mounting kit • Junction box • In-line Terminator • NMEA2000 interface unit • NMEA data converter
- Waterproof cap • Termination Resistor • NMEA2000 light cable assembly
- Cable assembly • Mini/micro T-connector • L-angle mounting base
- Handrail mounting base • Rectifier • T-connector • Inner hull mounting kit\* • Matching box\* • Speed/Temperature sensor\* • Temperature sensor\* \*for GP-1870F only

## ■ TRANSDUCER OPTIONS (for GP-1870F only)

600 W	1 kW*
• 520-5MSD (Bronze)	• 50/200-1T • 50B-6B
• 520-5PSD (Plastic)	• 200B-5S • 50B-6
• 525-5PWD (Plastic)	

\*Matching box MB-1100 required for certain transducers

## NMEA DATA CONVERTER < IF-NMEA2K2 >

Furuno's NMEA DATA CONVERTER is a compact interface unit, that converts NMEA 0183 data into CAN bus/NMEA2000 data and vice-versa. Control data such as Heading and Rate-of Turn can be translated in high speed conversion rate.

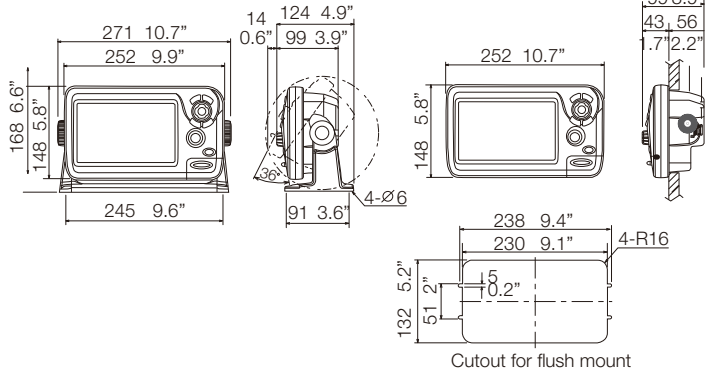


IF-NMEA2K2

## GP-1870 / GP-1870F

Bracket Mount  
1.5 kg 3.3 lb

Flush Mount  
1.3 kg 2.9 lb



Beware of similar products

Apple, the Apple logo, iPad, iPad mini and iPhone are trademarks of Apple Inc. registered in U.S. and other countries. App store is a service mark of Apple Inc.

SPECIFICATIONS SUBJECT TO CHANGE WITHOUT NOTICE  
PLEASE READ MANUAL BEFORE USING THE UNIT

### FURUNO ELECTRIC CO., LTD.

Nishinomiya, Hyogo, Japan  
www.furuno.com

### FURUNO U.S.A., INC.

Camas, Washington, U.S.A.  
www.furunousa.com

### FURUNO (UK) LIMITED

Havant, Hampshire, U.K.  
www.furuno.co.uk

### FURUNO FRANCE S.A.S.

Bordeaux-Mérignac, France  
www.furuno.fr

### FURUNO ITALIA S.R.L.

Gatteo Mare, Italy  
www.furuno.it

### FURUNO ESPAÑA S.A.

Madrid, Spain  
www.furuno.es

### FURUNO DANMARK A/S

Hvidovre, Denmark  
www.furuno.dk

### FURUNO NORGE A/S

Ålesund, Norway  
www.furuno.no

### FURUNO SVERIGE AB

Västra Frölunda, Sweden  
www.furuno.se

### FURUNO FINLAND OY

Espoo, Finland  
www.furuno.fi

### FURUNO POLSKA Sp. Z o.o.

Gdynia, Poland  
www.furuno.pl

### FURUNO EURUS LLC

St. Petersburg, Russian Federation  
www.furuno.com.ru

### FURUNO SINGAPORE PTE LTD

Singapore  
www.rico.com.sg

### FURUNO DEUTSCHLAND GmbH

Rellingen, Germany  
www.furuno.de

### FURUNO HELLAS S.A.

Piraeus, Greece  
www.furuno.gr

### FURUNO (CYPRUS) LTD

Limassol, Cyprus  
www.furuno.com.cy

### FURUNO CHINA CO., LTD.

Hong Kong

### FURUNO SHANGHAI CO., LTD.

Shanghai, China  
www.furuno.com/cn

6-E-1607PDF

Catalogue No. CA000001032